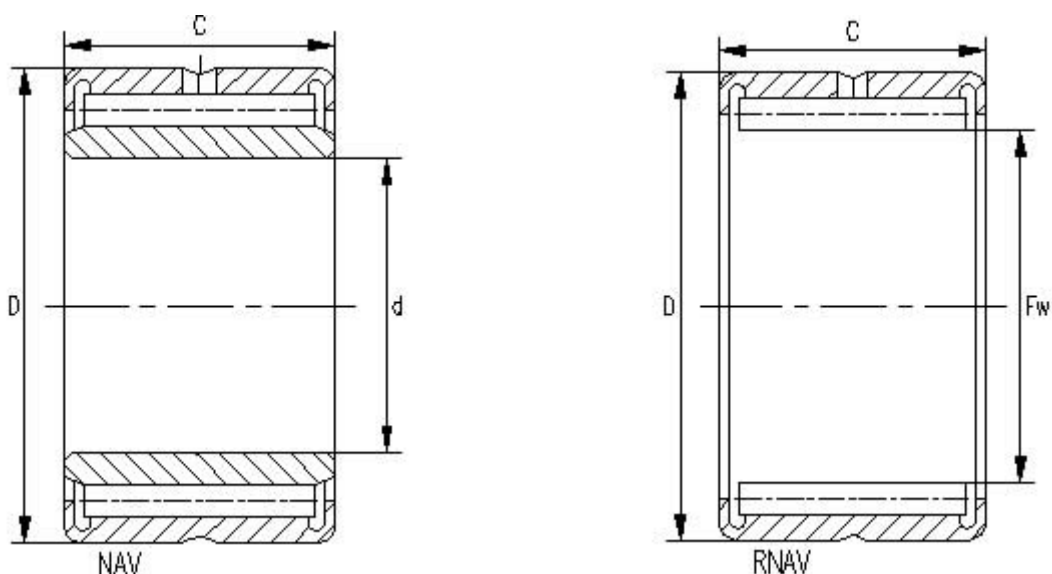


滚针轴承尺寸表



轴径 mm	轴承型号		重量 近似 g	外形尺寸			基本额定负荷		极限转速 油润滑 rpm
				Fw	D	C	动 Cr	静 Cor	
	现行的	老型号	mm			N			
无内圈									
21.87	RNAV4002	4084102	45	21.87	32	17	10800	29800	4500
24.3	RNAV4003	4084103	62	24.3	35	18	17900	37900	4300
28.7	RNAV4004	4084104	114	28.7	42	22	28150	60900	3900
33.5	RNAV4005	4084105	129	33.5	47	22	33800	70800	3700
40.1	RNAV4006	4084106	193	40.1	55	25	49900	96500	3500
45.9	RNAV4007	4084107	259	45.9	62	27	47600	122800	3100
51.6	RNAV4008	4084108	304	51.6	68	28	49900	137900	2700
57.4	RNAV4009	4084109	390	57.4	75	30	52500	153500	2600
62.1	RNAV4010	4084110	426	62.1	80	30	55700	166000	2500
69.8	RNAV4011	4084111	645	69.8	90	35	68500	225800	2300
74.6	RNAV4012	4084112	677	74.6	95	35	75400	239000	2100
80.3	RNAV4013	4084113	692	80.3	100	35	79500	256900	1900
88	RNAV4014	4084114	950	88	110	40	98800	354900	1700
92.7	RNAV4015	4084115	1000	92.7	115	45	101800	372900	1600
100.3	RNAV4016	4084116	1400	100.3	125	45	102900	373500	1500
104.8	RNAV4017	4084117	1540	104.8	130	45	103800	374800	1400
带内圈									
15	RNAV4002	4074102	76	15	32	17	10800	29800	4500
17	RNAV4003	4074103	94	17	35	18	1700	37900	4300
20	RNAV4004	4074104	170	20	42	22	28150	60900	3900
25	RNAV4005	4074105	195	25	47	22	33800	70800	3700
30	RNAV4006	4074106	299	30	55	25	49900	96500	3500
35	RNAV4007	4074107	402	35	62	27	47600	122800	3100
40	RNAV4008	4074108	482	40	68	28	49900	137900	2700

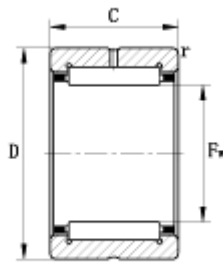
45	RNAV4009	4074109	617	45	75	30	52500	153500	2600
50	RNAV4010	4074110	669	50	80	30	55700	166000	2500
55	RNAV4011	4074111	1030	55	90	35	68500	225800	2300
60	RNAV4012	4074112	1087	60	95	35	75400	239000	2100
65	RNAV4013	4074113	1156	65	100	35	79500	256900	1900
70	RNAV4014	4074114	1666	70	110	40	98800	354900	1700
75	RNAV4015	4074115	1762	75	115	45	101800	372900	1600
80	RNAV4016	4074116	2450	80	125	45	102900	373500	1500
85	RNAV4017	4074117	2500	85	130	45	103800	374800	1400
17	--	74703	126	17	35	24.5	8700	10800	4200
15	--	74802	100	15	36	24.5	8900	11200	4400

无内圈滚针轴承

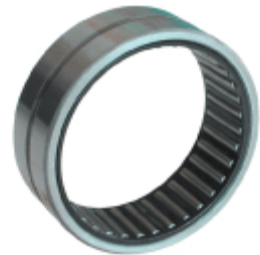
Needle Roller Bearings without Inner

Ring

RNA49 系列



RNA49



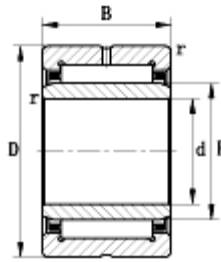
轴径 Shaft Diameter mm	型号 Designation	重量 Mass g	尺寸 Dimensions				基本额定载荷 Basic Load Ratings		极限转速 Limiting Speed Rpm	原有型号 Original Designation
			Fw	D	C	r min.	动 Cr Dynamic	静 Cor Static		
			Mm				N			
14	RNA4900	16	14	22	13	0.3	8.5	9.2	25000	4644900
16	RNA4901	17	16	24	13	0.3	9.4	10.9	24000	4644901
20	RNA4902	21	20	28	13	0.3	10.6	13.6	22000	4644902
22	RNA4903	22	22	30	13	0.3	11	14.6	21000	4644903
25	RNA4904	52	25	37	17	0.3	21	25.5	17000	4644904
28	RNA49/22	50	28	39	17	0.3	22.8	29.5	16000	--
30	RNA4905	61	30	42	17	0.3	23.6	31.5	15000	4644905
32	RNA49/28	73	32	45	17	0.3	24.4	33.5	13000	--
35	RNA4906	69	35	47	17	0.3	2.50	35.5	13000	4644906
40	RNA49/32	89	40	52	20	0.6	30.5	47.5	12000	--
42	RNA4907	107	42	55	20	0.6	31.5	50	10000	4644907
48	RNA4908	140	48	62	22	0.6	43	67	9500	4644908
52	RNA4909	182	52	68	22	0.6	45	73	8500	4644909
58	RNA4910	163	58	72	22	0.6	47	80	8000	4644910
63	RNA4911	255	63	80	25	1	58	100	7500	4644911
68	RNA4912	275	68	85	25	1	60	108	7000	4644912
72	RNA4913	312	72	90	25	1	61	112	6500	4644913
80	RNA4914	460	80	100	30	1	84	156	6000	4644914

85	RNA4915	489	85	105	30	1	86	162	5500	4644915
90	RNA4916	516	90	110	30	1	89	174	5000	4644916
100	RNA4917	657	100	120	35	1.1	111	237	4800	4644917
105	RNA4918	745	105	125	35	1.1	114	250	4600	4644918
110	RNA4919	719	110	130	35	1.1	116	260	4400	4644919
115	RNA4920	1150	115	140	40	1.1	128	270	4100	4644920
125	RNA4922	1240	125	150	40	1.1	132	290	3800	4644922
135	RNA4924	1860	135	165	45	1.1	181	390	3400	4644924

带内圈滚针轴承

Needle Roller Bearings with Inner Ring

NA49 系列



NA49

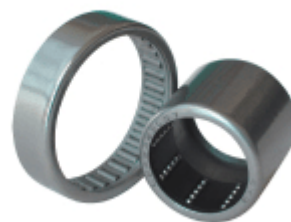
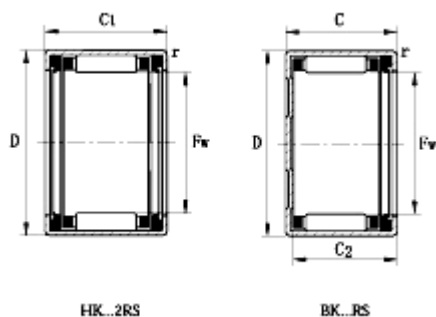
轴径 Shaft Diameter mm	型号 Designation	重量 Mass g	尺寸 Dimensions					基本额定载荷 Basic Load Ratings		极限转速 Limiting Speed Rpm	原有型号 Original Designation
			d	f	D	B	r min.	动 Cr Dynamic	静 Cor Static		
			Mm					N			
10	NA4900	23	10	14	22	13	0.3	8.5	9.2	25000	4544900
12	NA4901	26	12	16	24	13	0.3	9.4	10.9	24000	4544901
15	NA4902	34	15	20	28	13	0.3	10.6	13.6	22000	4544902
17	NA4903	37	17	22	30	13	0.3	11	14.6	21000	4544903
20	NA4904	75.2	20	25	37	17	0.3	21	25.5	17000	4544904
22	NA49/22	80	22	28	39	17	0.3	22.8	29.5	16000	--
25	NA4905	88	25	30	42	17	0.3	23.6	31.5	15000	4544905
28	NA49/28	97.7	28	32	45	17	0.3	24.4	33.5	13000	--
30	NA4906	101	30	35	47	17	0.3	2.50	35.5	13000	4544906
32	NA49/32	158	32	40	52	20	0.6	30.5	47.5	12000	--
35	NA4907	170	35	42	55	20	0.6	31.5	50	10000	4544907
40	NA4908	230	40	48	62	22	0.6	43	67	9500	4544908
45	NA4909	271	45	52	68	22	0.6	45	73	8500	4544909
50	NA4910	274	50	58	72	22	0.6	47	80	8000	4544910
55	NA4911	393	55	63	80	25	1	58	100	7500	4544911
60	NA4912	426	60	68	85	25	1	60	108	7000	4544912
65	NA4913	456	65	72	90	25	1	61	112	6500	4544913
70	NA4914	728	70	80	100	30	1	84	156	6000	4544914
75	NA4915	775	75	85	105	30	1	86	162	5500	4544915

80	NA4916	878	80	90	110	30	1.1	89	174	5000	4544916
85	NA4917	1250	85	100	120	35	1.1	111	237	4800	4544917
90	NA4918	1312	90	105	125	35	1.1	114	250	4600	4544918
95	NA4919	1371	95	110	130	35	1.1	116	260	4400	4544919
100	NA4920	1900	100	115	140	40	1.1	128	270	4100	4544920
110	NA4922	2070	110	125	150	40	1.1	132	290	3800	4544922
120	NA4924	2860	120	135	165	45	1.1	181	390	3400	4544924

冲压外圈滚针轴承

Drawn Cup Needle Roller Bearings

HK. .RS, HK. .2RS, BK. .RS 系列

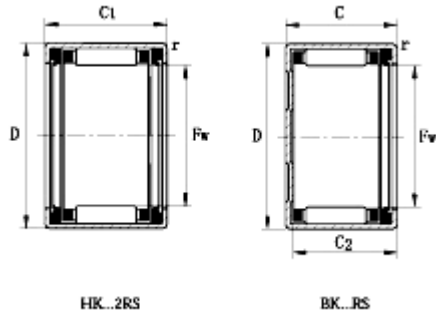


轴径	穿孔型 Open end		封口型	尺寸 Dimensions							基本额定负荷		极限 转速
	单面密封型号	双面密封型号	带密封型号	Fw	D	C	C1	C2	Rs	动 CrDynamic	静 CorStatic		
				mm							N		
10	HK1012 RS	HK1014.2 RS	BK1012 RS	10	14	12	14	9.3	0.4	4400	5100	17000	
12	HK1014 RS	HK1016.2 RS	BK1214 RS	12	18	14	16	11.3	0.8	6500	7300	14000	
14	HK1414 RS	HK1016.2 RS	BK1414 RS	14	20	14	16	11.3	0.8	7100	8500	12000	
15	HK1514 RS	HK1516.2 RS	BK1514 RS	15	21	14	16	11.3	0.8	7800	9800	11000	
	HK1518 RS	HK1520.2 RS	BK1518 RS	15	21	18	20	15.3	0.8	10500	14400	11000	
16	HK1614 RS	HK1616.2 RS	BK1614 RS	16	22	14	16	11.3	0.8	7600	9700	11000	
	HK1618 RS	HK1620.2 RS	BK1618 RS	16	22	18	20	15.3	0.8	8900	11300	11000	
18	HK1814 RS	HK1816.2 RS	BK1814 RS	18	24	14	16	11.3	0.8	8100	10900	9500	
20	HK2014 RS	HK2016.2 RS	BK2014 RS	20	26	14	16	11.3	0.8	8600	12100	8500	
	HK2018 RS	HK2020.2 RS	BK2018 RS	20	26	18	20	15.3	0.8	12700	20100	8500	
22	HK2214 RS	HK2216.2 RS	BK2214 RS	22	28	14	16	11.3	0.8	9100	13400	8000	
	HK2218 RS	HK2216.2 RS	BK2218 RS	22	28	18	20	15.3	0.8	13400	22100	8000	
25	HK2514 RS	HK2516.2 RS	BK2514 RS	25	32	14	16	11.3	0.8	11000	15200	7000	
	HK2518 RS	HK2520.2 RS	BK2518 RS	25	32	18	20	15.3	0.8	15600	24000	7000	
30	HK3018 RS	HK3020.2 RS	BK3018 RS	30	37	18	20	15.3	0.8	17200	29000	6000	
35	HK3518 RS	HK3520.2 RS	BK3518 RS	35	42	18	20	15.3	0.8	18700	33500	5000	
40	HK4018 RS	HK4020.2 RS	BK4018 RS	40	47	18	20	15.3	0.8	20000	38500	4500	
45	HK4518 RS	HK4520.2 RS	BK4518 RS	45	52	18	20	15.3	0.8	21300	43000	4000	

冲压外圈滚针轴承

Drawn Cup Needle Roller Bearings

HK. . RS, HK. . 2RS, BK. . RS 系列



轴径	穿孔型 Open end		封口型	尺寸 Dimensions							基本额定负荷		极限 转速
	单面密封型号	双面密封型号	带密封型号	Fw	D	C	C1	C2min.	Rsmín.	动 CrDynamic	静 CorStatic		
				mm							N		rpm
10	HK1012 RS	HK1014.2 RS	BK1012 RS	10	14	12	14	9.3	0.4	4400	5100	17000	
12	HK1014 RS	HK1016.2 RS	BK1214 RS	12	18	14	16	11.3	0.8	6500	7300	14000	
14	HK1414 RS	HK1016.2 RS	BK1414 RS	14	20	14	16	11.3	0.8	7100	8500	12000	
15	HK1514 RS	HK1516.2 RS	BK1514 RS	15	21	14	16	11.3	0.8	7800	9800	11000	
	HK1518 RS	HK1520.2 RS	BK1518 RS	15	21	18	20	15.3	0.8	10500	14400	11000	
16	HK1614 RS	HK1616.2 RS	BK1614 RS	16	22	14	16	11.3	0.8	7600	9700	11000	
	HK1618 RS	HK1620.2 RS	BK1618 RS	16	22	18	20	15.3	0.8	8900	11300	11000	
18	HK1814 RS	HK1816.2 RS	BK1814 RS	18	24	14	16	11.3	0.8	8100	10900	9500	
20	HK2014 RS	HK2016.2 RS	BK2014 RS	20	26	14	16	11.3	0.8	8600	12100	8500	
	HK2018 RS	HK2020.2 RS	BK2018 RS	20	26	18	20	15.3	0.8	12700	20100	8500	
22	HK2214 RS	HK2216.2 RS	BK2214 RS	22	28	14	16	11.3	0.8	9100	13400	8000	
	HK2218 RS	HK2216.2 RS	BK2218 RS	22	28	18	20	15.3	0.8	13400	22100	8000	
25	HK2514 RS	HK2516.2 RS	BK2514 RS	25	32	14	16	11.3	0.8	11000	15200	7000	
	HK2518 RS	HK2520.2 RS	BK2518 RS	25	32	18	20	15.3	0.8	15600	24000	7000	
30	HK3018 RS	HK3020.2 RS	BK3018 RS	30	37	18	20	15.3	0.8	17200	29000	6000	
35	HK3518 RS	HK3520.2 RS	BK3518 RS	35	42	18	20	15.3	0.8	18700	33500	5000	
40	HK4018 RS	HK4020.2 RS	BK4018 RS	40	47	18	20	15.3	0.8	20000	38500	4500	
45	HK4518 RS	HK4520.2 RS	BK4518 RS	45	52	18	20	15.3	0.8	21300	43000	4000	